

Luxaflex®  
EVO  
Awnings

NEW  
Improved  
Side Channels  
and End Caps



# What's NEW

We are constantly looking for ways to improve the quality and design of our Luxaflex® Evo Awnings range. We believe the smallest improvements can make the biggest difference. With the introduction of the new and improved Side Channels and End Caps, not only is the installation process streamlined, but consumers are guaranteed a durable awning which boasts a smooth and sleek finish.

## Side Tension Channel

The features and benefits of the improved adjustable Side Channel design include:

- **Out of Square:** The channel provides an out of square of up to 20mm for those difficult installations. Even if the side channels are not perfectly vertical, the new and improved design of this component ensures the awning will still work perfectly every time.
- **Fully Fixed or Semi Fixed Floating Guide**-the choice is yours! The new Side Channel design allows installers the flexibility to either fully fix the floating guide or leave it semi floating.
- **Fixing Screws are hidden inside the front cover:** The fixing screws are concealed within the side channel to ensure a smooth and elegant finish.
- **The Notching and Fixing Holes are now Pre-punched:** These holes are now pre-cut at the factory to ensure a consistent finish and to reduce the time during product installation.



**NEW:** Side Channel Design

## STC Top Cap

The features and benefits of the improved STC Top Cap design include:

**Bracket alignment/Top fit aligner lugs** – This is incorporated in the design to ensure that the side channels align up correctly with relation to the headbox. This results in the awning working correctly every time.

**Universal End Cap** – The end caps have been designed so they can work in both the left channel and right channel.

**Fixing holes** – Screw holes are incorporated in the end cap to secure to side channel. This secures the front panel to the channel ensuring that it cannot blow out in strong winds.



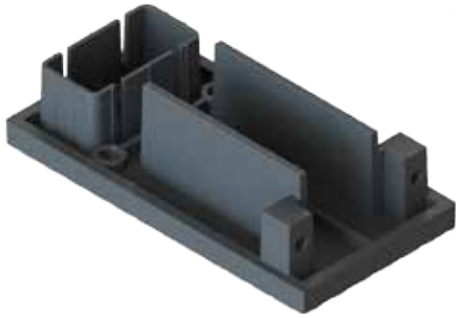
**Item code:** 46.609.000

## STC Top Alignment Cap

The Top Alignment Cap is used to align the floating guide within the channel. It will ensure the fabric moves correctly and the consumer can enjoy trouble free operation every time.



**New:** Top Alignment Cap  
**Item code:** 46.609.000



Item code: 46.609.000

## STC Bottom Cap

The features and benefits of the new Bottom Side Channel End Cap design include:

- **Greater Movement:** The simple design of the Bottom Side Channel End Cap allows the floating guide to move freely along the bottom end cap.
- **Universal End Cap:** The new Bottom Side Channel End Cap design is compatible with both the left and right channels.
- **Fabric Security:** Screw holes are incorporated in the end cap to secure the front panel to the channel to ensure it cannot blow out in strong winds.

## STC Bottom Rail End Caps

- **Universal End Cap:** The new Bottom Rail End Cap design can be used on both left and right sides of the bottom rail.
- **Reduced Light Gap and Fabric Security:** The light gap and bellowing of fabric is considerably reduced as the end cap is now within the channel. The screw holes which have been incorporated into the design also ensures the fabric remains secure.



NEW: Front and Back view of the Bottom Rail End Cap  
Item code: 46.611.000



Item code: 46.608.100

## Headbox End Cap

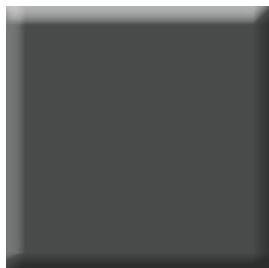
The new design of the cast aluminium Evo headbox end cap now features integrated L brackets for both face and reveal situations. This means installation time is reduced as the process of attaching the L bracket to the end cap is eliminated.

## New Colour Range

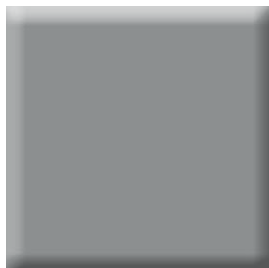
The EVO Range is now available in 5 factory finish colours.



**Luxaflex:** Mombasa  
**BlueScope:** Night Sky



**Luxaflex:** Thundercloud  
**BlueScope:** Woodland Grey



**Luxaflex:** Silver Pearl  
**BlueScope:** Citi Pearl



**Luxaflex:** Chardonnay  
**BlueScope:** Paper Bark



**Luxaflex:** Yalumba  
**BlueScope:** Classic Cream



*Luxaflex*<sup>®</sup>